

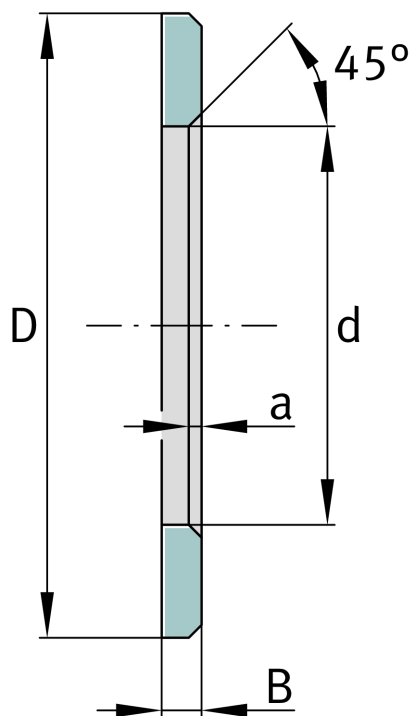
## LS1730

Bearing washer

Schaeffler ID:  
0000550180000

Bearing washers, suitable for AXK and  
K811

### Technical information



#### Main Dimensions & Performance Data

|                  |         |                               |
|------------------|---------|-------------------------------|
| d                | 17 mm   | Bore diameter track washer    |
| D                | 30 mm   | Outside diameter track washer |
| B                | 2.75 mm | Width                         |
|                  | 45 °    | Chamfer Angle                 |
| a <sub>min</sub> | 0.5 mm  | Chamfer width                 |
|                  | 9.4 g   | Weight                        |

